

# EC-Track™



Discrete, flexible and safe



Yes, you can.

Invacare **EC Track** system completes the versatility of the *Invacare Robin*. To meet the varied transfer needs, we offer a wide range of tracking options for different kind of environments and types of installation. The **EC Track** has a discrete modern design with a low height and long span, ensuring that the complexity of the various transfer needs are met. **EC Track** is constructed from light aluminium material and is easy to install.

Features and options



Invacare **EC Track**

Is available in 3 different profiles.



Curves

Are available in 30, 45, 60 and 90 degrees as standard. Only S-Profiles.



The *Invacare Robin* trolley



Invacare **Robin**

Connects to the track, without the use of tools.



Standard bracket

Available for all track options.



The Quick bracket

Single point installation (unavailable in the UK).



Wall bracket

An alternative to ceiling mounting.

Wall support

To support the wall-mounted track



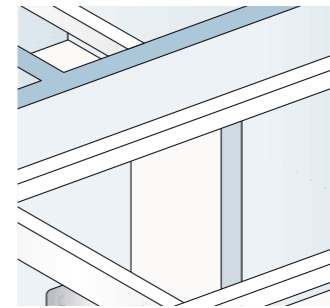
Traverse trolley



Transit coupling

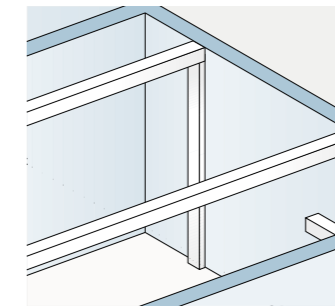
To transfer from one room to another, using only one **Robin** motor.

Features and options



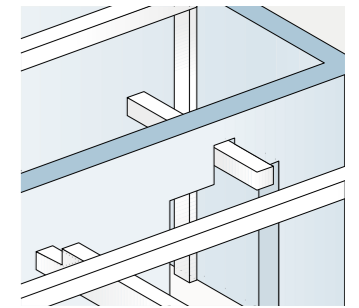
Room to room transfer

With two *Invacare Robin* motors and a room-to-room trolley, it is possible to transfer the user from room to room.



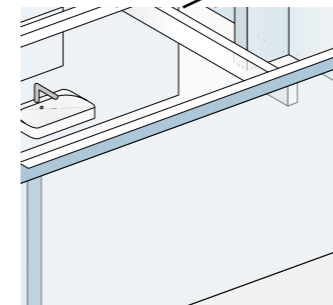
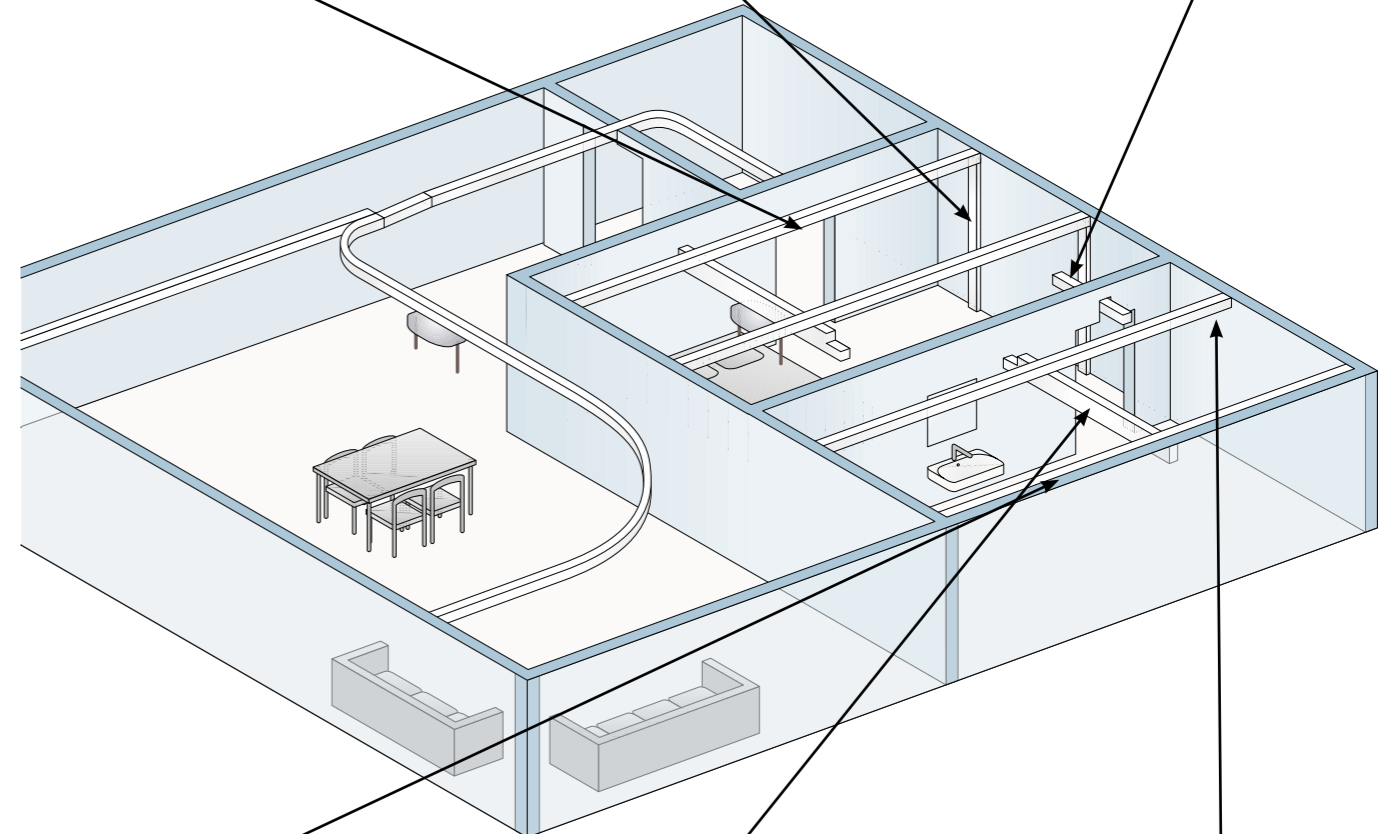
Wall support

The tracks can be installed in places where the wall does not have sufficient carrying capacity.



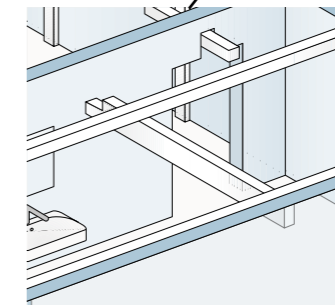
Transit coupling

To transfer the user from one room to another, using only one **Robin** motor.



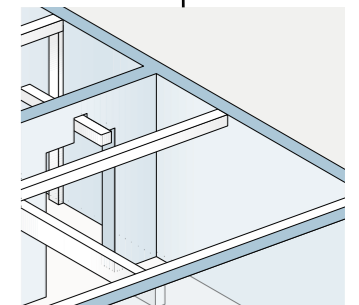
Wall bracket

To install the track along the wall.



Traverse systems

Permits an unlimited number of lifting places.



Wall bracket

To install the track in a free span. The tracks are mounted at the ends.



### EC - Gantry

Tracks on „legs“- no need for installing tracks in wall or ceiling. EC - Gantry is very easy to install and dismount and once mounted it is very easy to raise and lower the gantry without using tools.

#### The EC - Gantry is available in two versions:

1. With castors - height adjustable from 195 - 230 cm
2. Without castors - height adjustable from 216 - 251 cm



### EC - Gantry Traverse

Room covering tracks on „legs“- no need for installing tracks in wall or ceiling. EC - Gantry Traverse is very easy to install and dismount and once mounted it is very easy to raise and lower the gantry without using tools. EC- Gantry is height adjustable from 218 to 253 cm.

## Technical data

For more comprehensive pre-sales information about this product, including the product's user manual, please see your local Invacare website.

Max. user weight



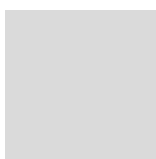
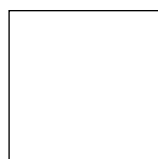
Invacare **EC-Track**

200 kg

## Frame colours

White

Aluminium



Please notice colors may vary slightly from those displayed above.

**Tel: +44 61 487 70 70**  
[hqeuropa@invacare.com](mailto:hqeuropa@invacare.com)  
[www.invacare.eu.com](http://www.invacare.eu.com)

Invacare International GmbH  
Neuhofweg 51  
4147 Aesch BL  
Switzerland

